

DETAIL D1
SCALE: 3/8"=1'-0"

DETAIL D2
SCALE: 3/8"=1'-0"

DETAIL D3
SCALE: 3/8"=1'-0"

DETAIL D4
SCALE: 3/8"=1'-0"

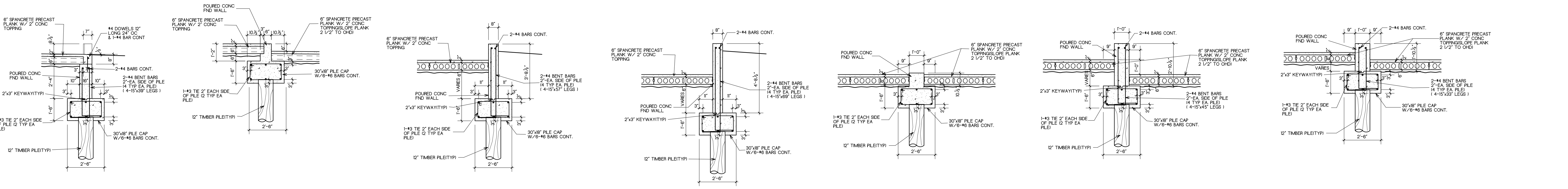
DETAIL D5
SCALE: 3/8"=1'-0"

DETAIL D6
SCALE: 3/8"=1'-0"

DETAIL D7
SCALE: 3/8"=1'-0"

DETAIL D8
SCALE: 3/8"=1'-0"

DETAIL D9
SCALE: 3/8"=1'-0"



DETAIL D10
SCALE: 3/8"=1'-0"

DETAIL D11
SCALE: 3/8"=1'-0"

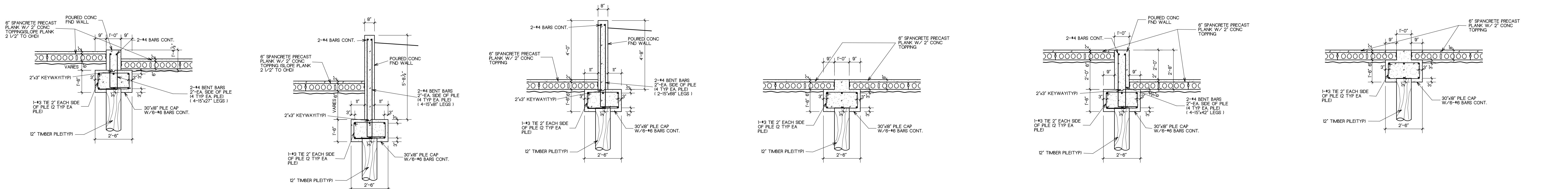
DETAIL D12
SCALE: 3/8"=1'-0"

DETAIL D13
SCALE: 3/8"=1'-0"

DETAIL D14
SCALE: 3/8"=1'-0"

DETAIL D15
SCALE: 3/8"=1'-0"

DETAIL D16
SCALE: 3/8"=1'-0"



DETAIL D17
SCALE: 3/8"=1'-0"

DETAIL D18
SCALE: 3/8"=1'-0"

DETAIL D19
SCALE: 3/8"=1'-0"

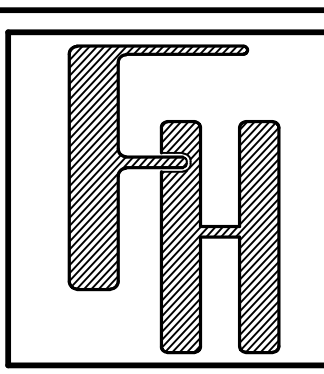
DETAIL D20
SCALE: 3/8"=1'-0"

DETAIL D21
SCALE: 3/8"=1'-0"

DETAIL D22
SCALE: 3/8"=1'-0"

NOTE: SPLICE ALL TOP BARS AT MID SPAN AND BOTTOM BARS AT PILE SUPPORTS FOR ALL PILE CAP GRADE BEAMS.

- WORK ORDERED BY -
SHUDEEN HOMES, LLC
77 NORTH FIRST STREET
GENEVA, IL 60134



ROWHOMES OF FONTANA
A PLANNED DEVELOPMENT
DOUGLAS STREET (BLOCK 4)
VILLAGE OF FONTAN-ON-GENEVA LAKE, WALWORTH COUNTY, WISCONSIN

(BUILDING NO. 2)
FOUNDATION DETAILS

FARRIS, HANSEN & ASSOCIATES, INC.
ENGINEERING - ARCHITECTURE - SURVEYING
7 RIDGWAY COURT P.O. BOX 437
ELKHORN, WISCONSIN 53121
OFFICE: (262) 723-2098 FAX: (262) 723-5886

REVISIONS	PROJECT NO.
FILE REVISIONS BS 02/16/15 FINAL FOR STATE SUBMITTAL BS 02/20/15	9129
	DATE 09/16/14
	SHEET NO. 8 of 13