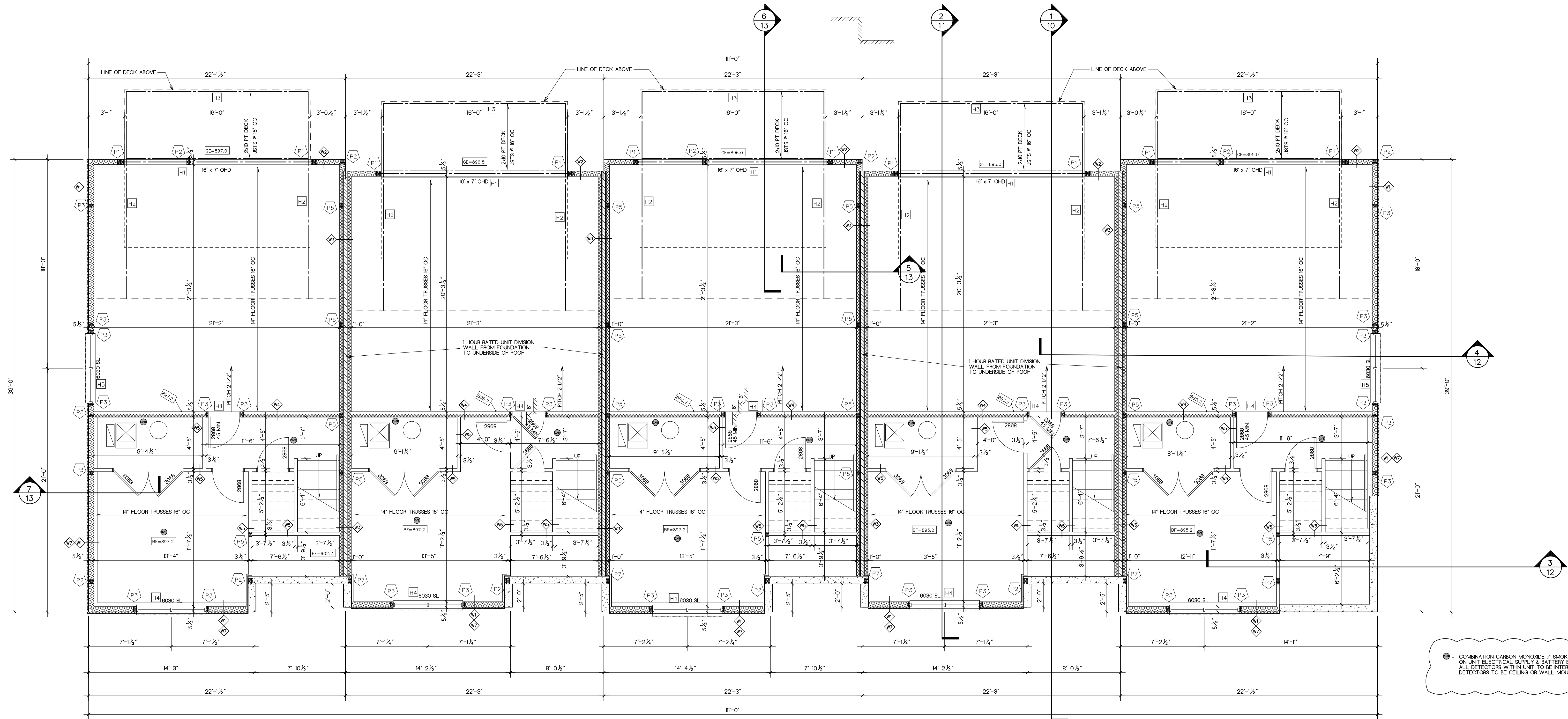


HEADER / BEAM SIZE	
H1	= 2 - 1 3/4" x 16" MICROLAM LVL HEADER
H2	= FLITCH BEAM - 2x2 PT JOIST ATTACHED TO EACH FACE OF 1x4" x 4" GALVANIZED STEEL PLATE WITH 1/2" DIA THRU BOLTS AT 6" OC TOP & BOTTOM - STAGGERED
H3	= FLITCH BEAM - 2x2 PT JOIST ATTACHED TO EACH FACE OF 1x4" x 4" GALVANIZED STEEL PLATE WITH 1/2" DIA THRU BOLTS AT 6" OC TOP & BOTTOM - STAGGERED
H4	= 2-2x4 HEADER SFF #1
H5	= 2-2x2 HEADER SFF #1
H6	= 3-2x2 HEADER SFF #1

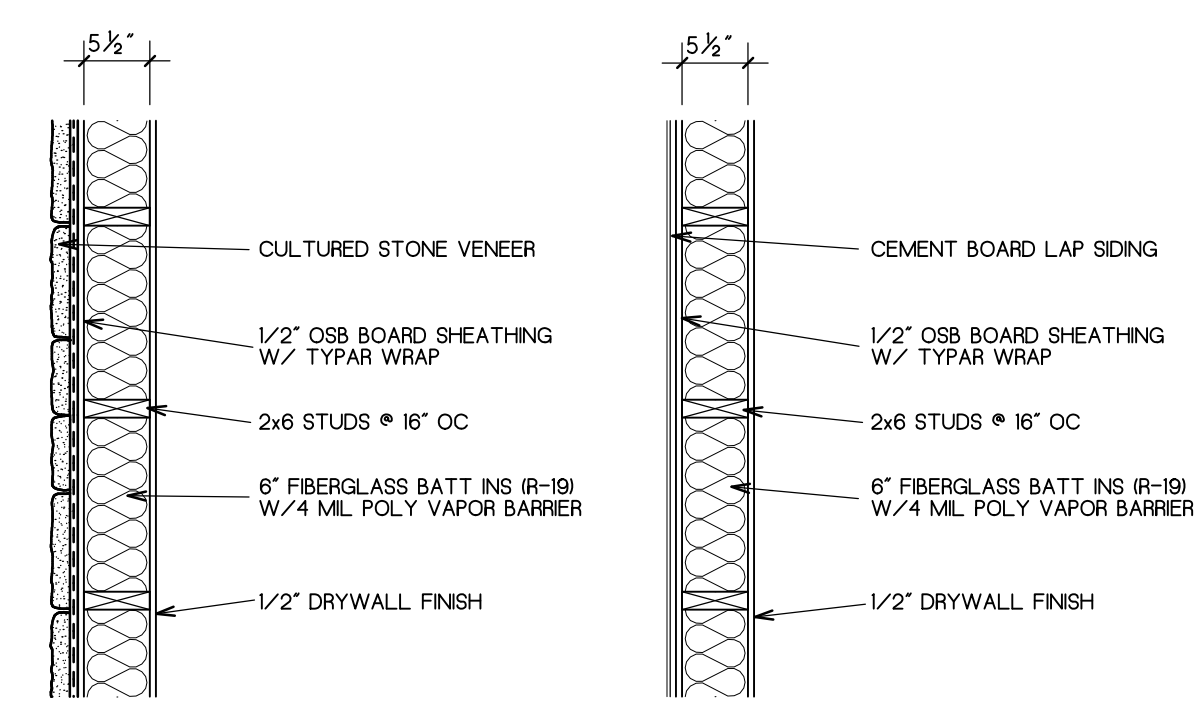
POST / COLUMN SIZE	
P1	= 4-2x6
P2	= 3-2x6
P3	= 2-2x6
P4	= 1-2x6
P5	= 2-2x4
P6	= 3-2x4
P7	= 4-2x4



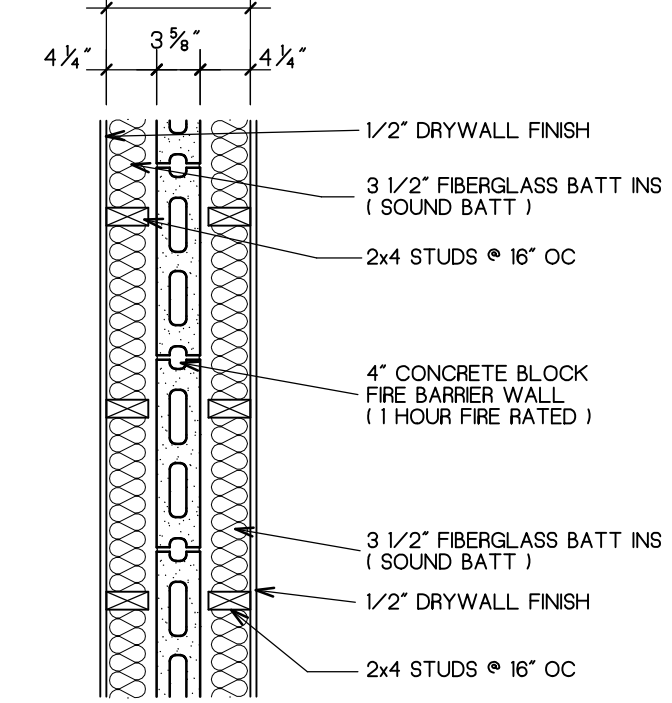
⊕ = COMBINATION CARBON MONOXIDE / SMOKE DETECTOR ON UNIT ELECTRICAL SUPPLY & BATTERY BACK-UP. ALL DETECTORS WITH UNIT TO BE INTERCONNECTED. DETECTORS TO BE CEILING OR WALL MOUNTED.

LOWER LEVEL FLOOR PLAN

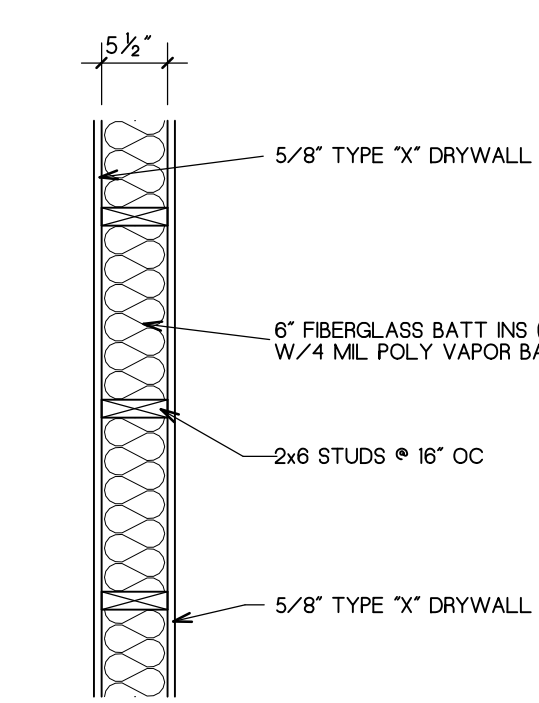
SCALE: 1/4"=1'-0"



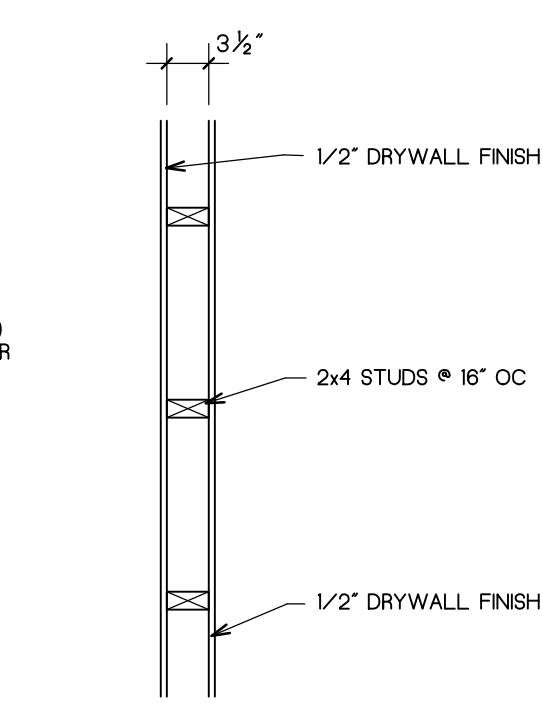
WALL TYPE W1 WALL TYPE W2



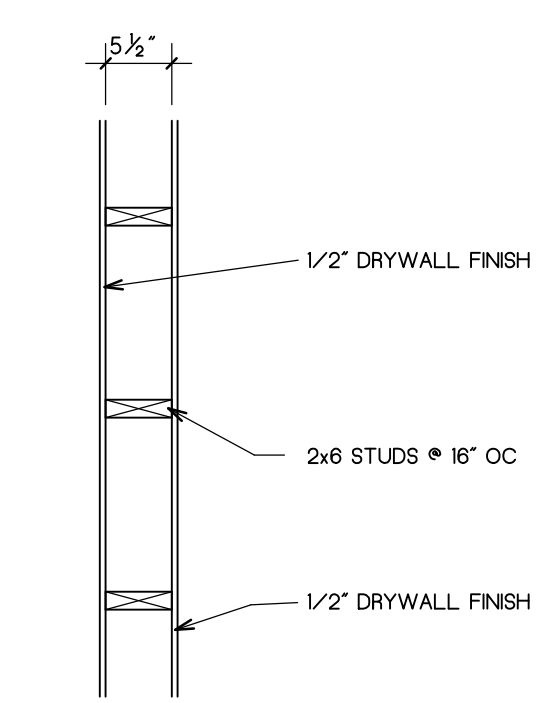
WALL TYPE W3



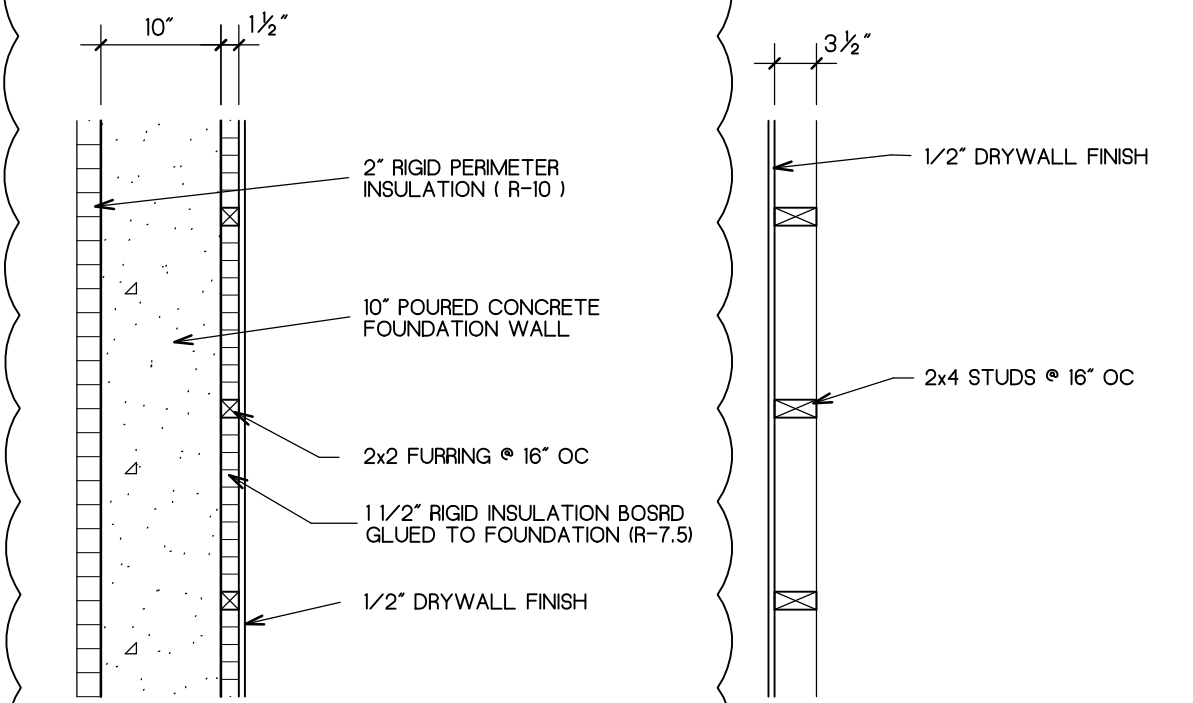
WALL TYPE W4



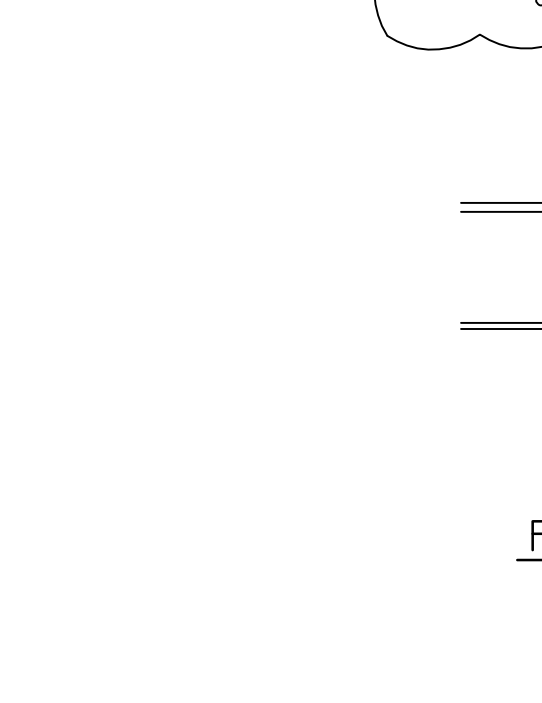
WALL TYPE W5



WALL TYPE W6



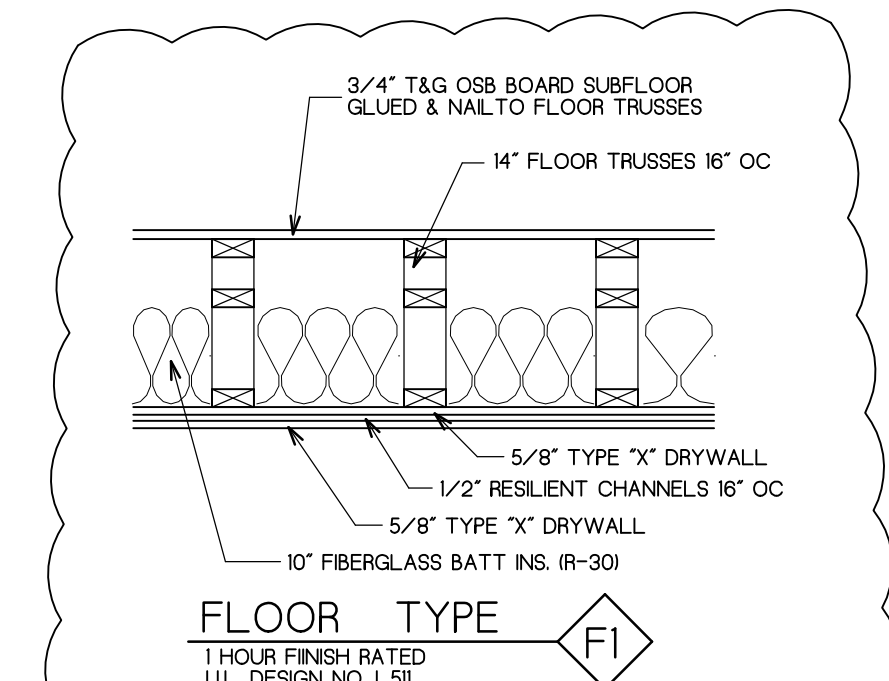
WALL TYPE W7



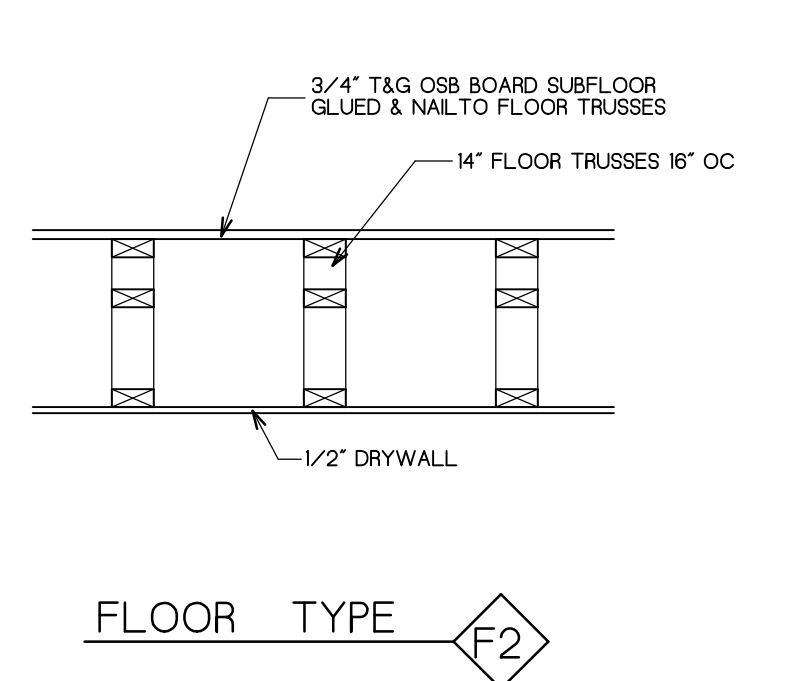
WALL TYPE W8

NOTE: BLOCK WALL TO BE REINFORCED WITH #3 BARS VERTICAL IN GROUTED CORES 48" OC & 3 DUP-COR-WALL #3/8 REINFORCING 24" OC VERT. BLOCK TO BE TIED TO STD WALLS 16" OC HORIZ. & 48" OC VERT.

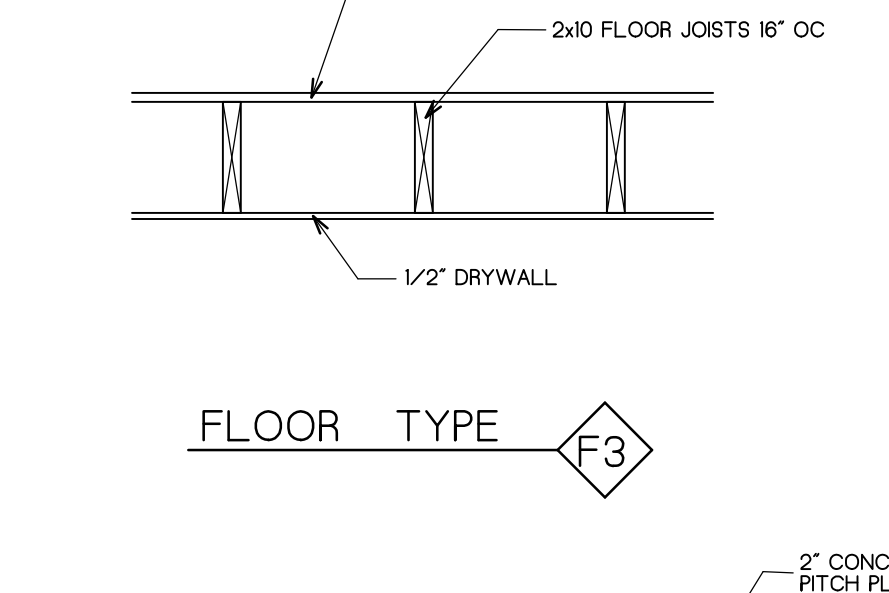
WALL TYPES SCALE: 3/4"=1'-0"



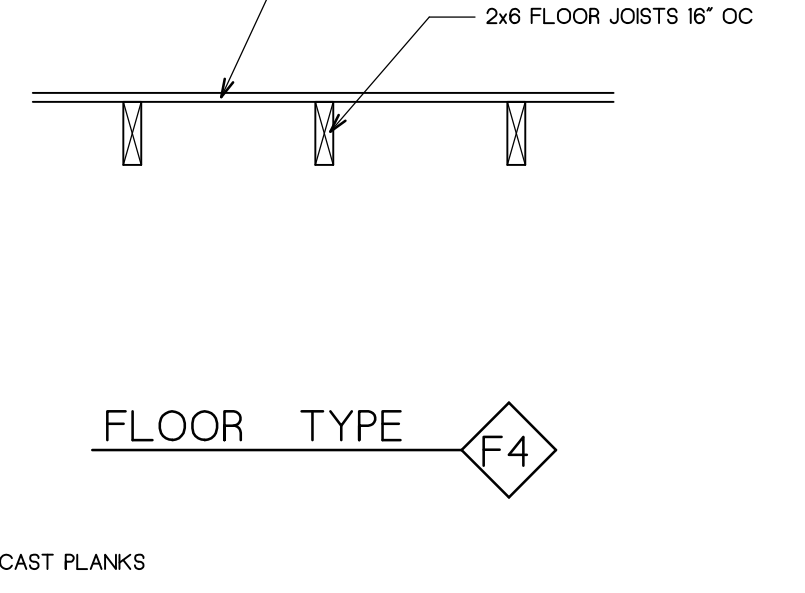
FLOOR TYPE F1



FLOOR TYPE F2



FLOOR TYPE F3



FLOOR TYPE F4



FLOOR TYPE F5

FLOOR TYPES SCALE: 3/4"=1'-0"

- OWNER / DEVELOPER - SHUDEEN HOMES, LLC 77 NORTH FIRST STREET GENEVA, IL 60134

ROWHOMES OF FONTANA
A PLANNED DEVELOPMENT
DOUGLAS STREET (BLOCK 4)
VILLAGE OF FONTAN-ON-GENEVA LAKE, WALWORTH COUNTY, WISCONSIN

(BUILDING NO. 2)
LOWER LEVEL FLOOR PLAN
WALL TYPES, FLOOR TYPES

FARRIS, HANSEN & ASSOCIATES, INC.
ENGINEERING - ARCHITECTURE - SURVEYING
7 RIDGWAY COURT P.O. BOX 437
ELKHORN, WISCONSIN 53121
OFFICE: (262) 723-2098 FAX: (262) 723-5886

REVISIONS	PROJECT NO.
FILE REVISIONS BS 02/16/15 FINAL FOR STATE SUBMITTAL BS 02/20/15 REVISIONS PER STATE REVIEW BS 02/25/15	9129
	DATE 09/16/14
	SHEET NO. 3 of 13